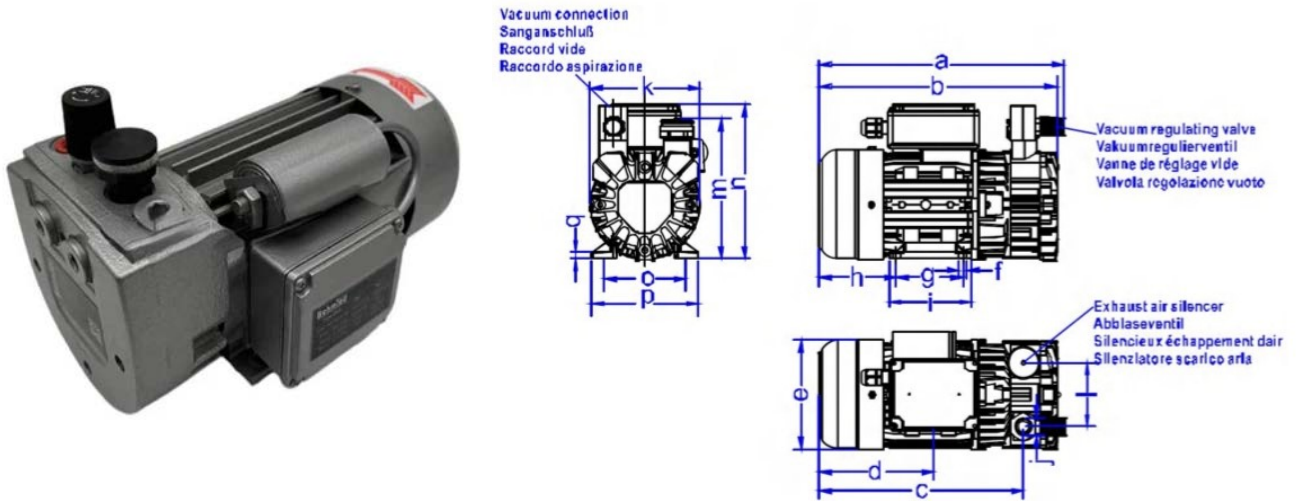


Dry Rotary Vane Vacuum Pump

VT 8



Technical Parameters

Model	Air Flow		Motor Power(KW)				Motor Power(V)				Motor Speed(rpm)				vacuum (mbar)	Weight (Kg)
	m3/h		3 phase		1 phase		3 phase		1 phase		3 phase		2 phase			
	50Hz	60Hz	50Hz	60Hz	50Hz	60Hz	50Hz	60Hz	50Hz	60Hz	50Hz	60Hz	50Hz	60Hz		
VT 8	8	9.6	0.37	0.44	0.37	0.44	175~260V 300~450V	202~300V 350~520V	200~240V	200~240V	1420	1700	1380	1630	150	13

Mounting Dimensions

measure: mm

Type	a	b	c	d	e	f	g	h	i
VT 8	314	302	263	161	140	7.5	90.5	94.5	104.5
	j	k	l	m	n	o	p	q	
	24.5	132.5	82	168	176.5	112	131.5	10	

Performance Data

