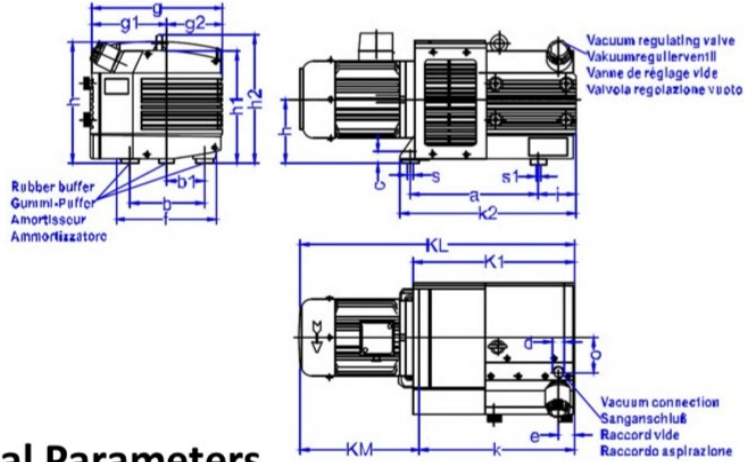


Dry Rotary Vane Vacuum Pump

KVT60 KVT80 KVT100 KVT140



Technical Parameters

Model	Air Flow		Motor Power(KW)		Motor Power(V)		Motor Speed(rpm)		Sound level		vacuum (mbar)	Weight (Kg)
	m3/h		3 phase		3 phase		3 phase		dB(A)			
	50Hz	60Hz	5Hz	60Hz	50Hz	60Hz	50Hz	60Hz	50Hz	60Hz		
KVT 60	60	72	2.2	2.6	230/400V±10%	230/400V±10%	1420	1700	71	73	150	70
KVT 80	80	96	2.2	2.6	230/400V±10%	230/400V±10%	1420	1700	72	75	150	70
KVT 100	100	120	3	3.6	230/400V±10%	230/400V±10%	1420	1700	75	77	150	105.0
KVT 140	140	168	4	4.8	230/400V±10%	230/400V±10%	1420	1700	76	79	150	115

Mounting Dimensions

measure: mm

Type	a	b	b1	c	d1	e1	f	g	g1	g2	h	h1	h2	l	k	k1	k2	km	kl	o	s1
KVT 60	327	190	95	33	G1	49	235	355	189	150	162	314	331	93	401	419	451	330	728	65	M8
KVT 80	327	190	95	33	G1	49	235	355	189	150	162	314	331	93	401	419	451	330	731	65	M8
KVT 100	411	245	134	33	G1-1/2	60	295	470	232	221	162	376	382	146	527	543	570	398	925	95	M8
KVT 140	411	245	134	33	G1-1/2	60	295	470	232	221	162	376	382	146	527	543	570	398	925	95	M8

Performance Data

