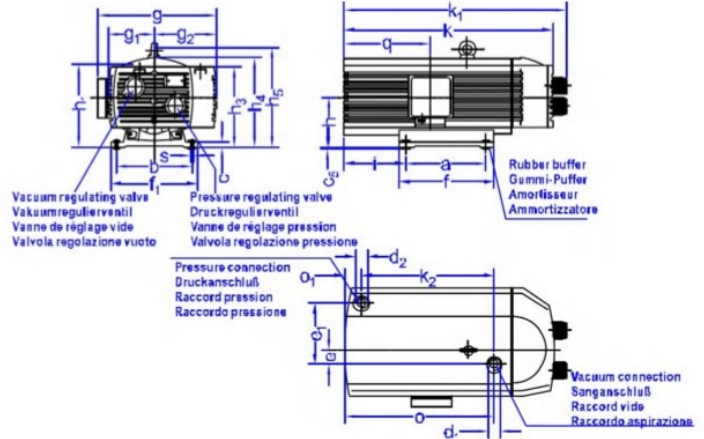


Dry Rotary Vane Vacuum Pump

DVT16 DVT25 DVT40



Technical Parameters

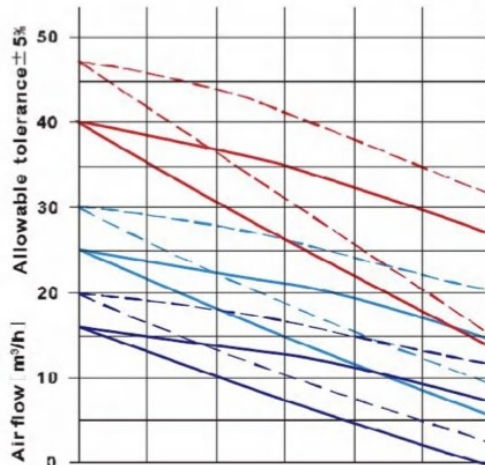
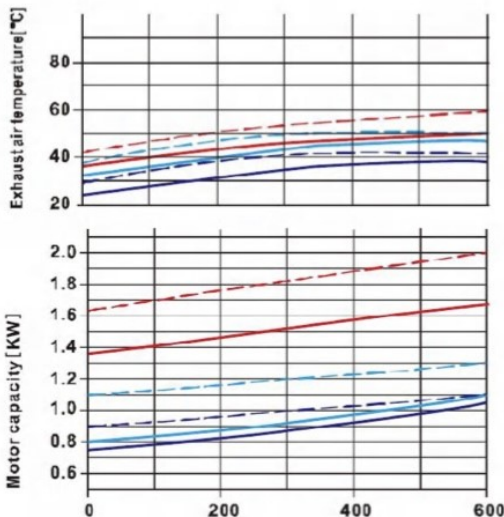
Model	Air Flow		Motor Power(KW)		Motor Power(V)				Motor Speed(rpm)		Sound level dB(A)		pressure (mbar)	pressure (mbar)	Weight (Kg)		
	m3/h		3 phase		3 phase		1 phase		3 phase		50Hz					60Hz	
	50Hz	60Hz	50Hz	60Hz	50Hz	60Hz	50Hz	60Hz	50Hz	60Hz	50Hz	60Hz				50Hz	60Hz
DVT16	16	20	0.75	0.9	195-255V 330-440V	190-290V 330-550V	230V±10%	230V±10%	1420	1700	69	70	-600	+600	36		
DVT25	25	30	1.25	1.5	195-255V 330-440V	190-290V 330-550V	230V±10%	230V±10%	1420	1700	69	70	-600	+600	36.0		
DVT40	40	48	1.85	2.2	195-255V 330-440V	190-290V 330-550V	230V±10%	230V±10%	1420	1700	69	70	-600	+600	45		

Mounting Dimensions

measure: mm

Type	a	b	c	c5	d1	d2	e	e1	f	f1	g	g1	g2	h	h1	h2	h3	h4	h5	l	K	K1	k2	o	o1	q	s
DT16K	205	128	15	3	G1/2	G1/2	37	155	244	156	283	105	155	110	200	200	205	210	220	110	465	511	296	331	35	182	7
DT25K	220	198	15	3	G3/4	G3/4	40	170	260	238	328	125	173	140	229	214	227	250	290	130	505	545	281	336	55	178	7
DT40K	220	198	15	3	G3/4	G3/4	40	170	261	240	321	126	174	140	229	214	223	250	295	177	586	617	362	414	55	241	7

Performance Data



1 refers to atmospheric pressure
2 refers to intake pressure

Reference:1000 mbar
Atmosphere:20°C

Vacuum [bar]

- DVT16
- DVT25
- DVT40
- 50Hz
- - - 60Hz