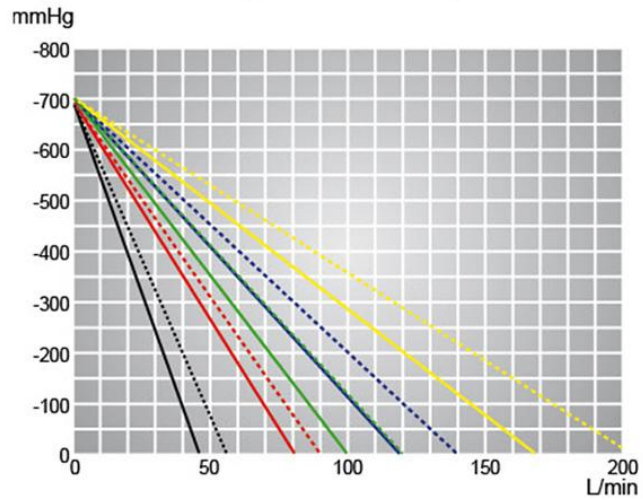


## Performance Curves

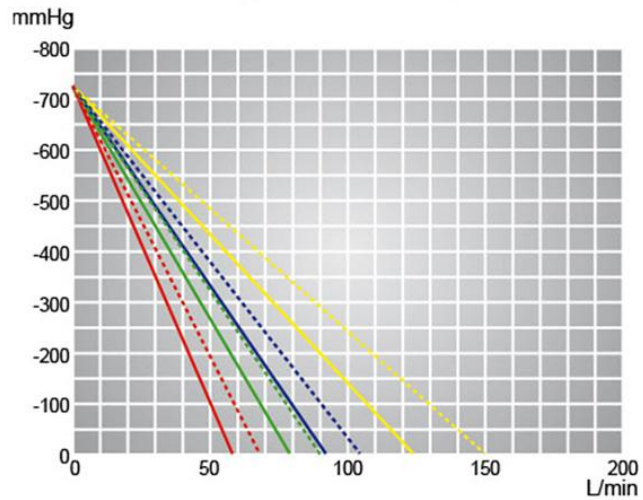
—	HP40 Series 50Hz	.....	HP40 Series 60Hz
—	HP90 Series 50Hz	.....	HP90 Series 60Hz
—	HP120 Series 50Hz	.....	HP120 Series 60Hz
—	HP140 Series 50Hz	.....	HP140 Series 60Hz
—	HP200 Series 50Hz	.....	HP200 Series 60Hz



### Vacuum (V Series)



### Vacuum (H Series)



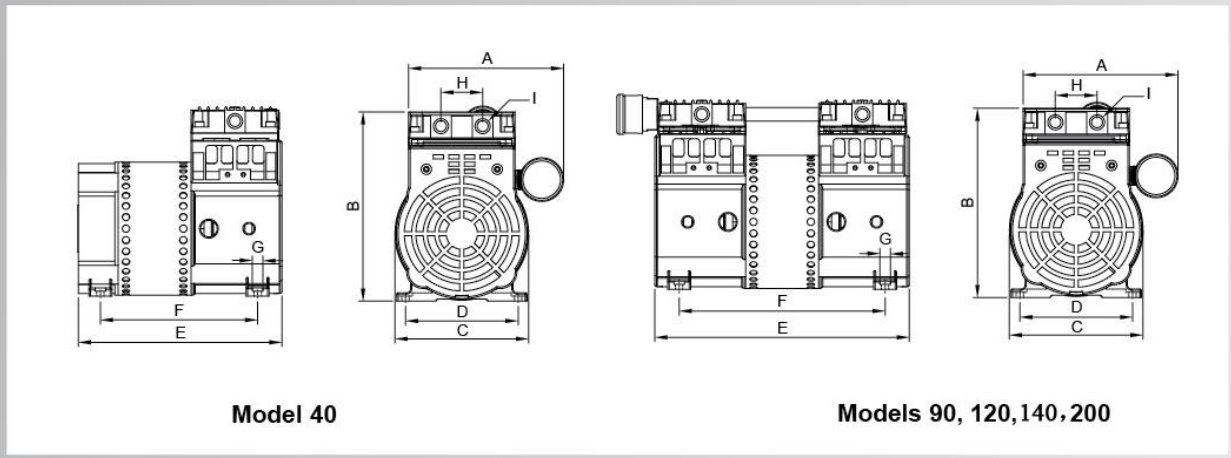
## Features:

- High efficiency cooling fan
- Hard coated compression cylinder
- Precision valve plates
- Low noise level
- Maintenance free operation

## Performance Data

Model	V	Hz	Kw	A	mmHg	L/min	inch	noise dB	weight Kg
HP-40V	1Φ	50	0.14	1.5	-680	45	1/4"	58	6.7
	115V	60	0.12	1.1	-680	56		58	
	1Φ	50	0.15	0.7	-680	45	1/4"	58	
	220V	60	0.17	1.1	-680	56		58	
HP-90V	1Φ	50	0.22	2.2	-685	81	1/4"	58	8.25
	115V	60	0.27	2.6	-685	90		58	
	1Φ	50	0.26	1.3	-685	81	1/4"	58	
	220V	60	0.33	1.5	-685	90		58	
HP-90H	1Φ	50	0.22	2.3	-740	58	1/4"	58	8.25
	115V	60	0.26	2.5	-740	66		58	
	1Φ	50	0.25	1.3	-740	58	1/4"	58	
	220V	60	0.32	1.5	-740	66		58	
HP-120V	1Φ	50	0.37	3.8	-700	100	1/4"	58	8.3
	115V	60	0.45	4.0	-700	120		58	
	1Φ	50	0.36	1.6	-700	100	1/4"	58	
	220V	60	0.45	2.0	-700	120		58	
HP-120H	1Φ	50	0.35	3.3	-740	79	1/4"	58	8.3
	115V	60	0.38	3.5	-740	90		58	
	1Φ	50	0.34	1.5	-740	79	1/4"	58	
	220V	60	0.41	1.9	-740	90		58	
HP-140V	1Φ	50	0.45	4.1	-700	119	1/4"	58	8.3
	115V	60	0.495	4.5	-700	143		58	
	1Φ	50	0.40	1.8	-700	119	1/4"	58	
	220V	60	0.485	2.2	-700	143		58	
HP-140H	1Φ	50	0.38	3.5	-740	92	1/4"	58	8.3
	115V	60	0.40	3.7	-740	105		58	
	1Φ	50	0.35	1.6	-740	92	1/4"	58	
	220V	60	0.44	2.0	-740	105		58	
HP-200V	1Φ	50	0.40	4.2	-700	168	3/8"	59	8.8
	115V	60	0.48	4.4	-700	205		59	
	1Φ	50	0.45	2.1	-700	168	3/8"	59	
	220V	60	0.57	2.6	-700	205		59	
HP-200H	1Φ	50	0.38	4.0	-740	123	3/8"	59	8.8
	115V	60	0.46	4.3	-740	150		59	
	1Φ	50	0.44	2.0	-740	123	3/8"	59	
	220V	60	0.55	2.5	-740	150		59	

Dimensions (mm):



Model 40

Models 90, 120, 140, 200

UNIT: mm

Model	A	B	C	D	E	F	G	H	I	Weight kg
HP-40V	148	180.5	128	108	195	150.75	Ø7	40	NPT1/4"	6.7
HP-90V	148	180.5	128	108	244	197.5	Ø7	40	NPT1/4"	8.25
HP-90H	148	180.5	128	108	244	197.5	Ø7	40	NPT1/4"	8.25
HP-120V	148	182	128	108	244	197.5	Ø7	40	NPT1/4"	8.3
HP-120H	148	182	128	108	244	197.5	Ø7	40	NPT1/4"	8.3
HP-140V	148	182	128	108	244	197.5	Ø7	40	NPT1/4"	8.3
HP-140H	148	182	128	108	244	197.5	Ø7	40	NPT1/4"	8.3
HP-200V	148	204	128	108	244	192.5	Ø10.5	40	NPT3/8"	8.8
HP-200H	148	204	128	108	244	192.5	Ø10.5	40	NPT3/8"	8.8